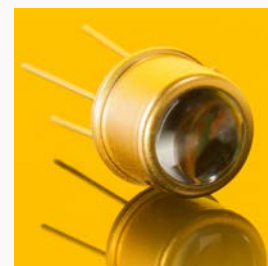




UV-TIAMO-BLA

- UVA amplified SiC UV detector
- Integrated Transimpedance Amplifier
- Sensitivity Range: 309-367 nm
- Approx. max irradiance $18\mu\text{W}/\text{cm}^2$
- TO5 housing with concentrator lens cap
- Applications: very low UV radiation detection, flame detection



Description

The UV-TIAMO devices are using modern hybride technology to cancel unwanted signal disturbances caused by moisture or electromagnetic radiation. The stable 0...5V output voltage can be directly connected to a SPC controller or a voltage multimeter. No external amplifier is needed.

The photodetectors work with a SiC sensing chip. SiC provides the unique property of extreme radiation hardness, near-perfect visible blindness, low dark current, high speed and low noise. These features make SiC the best available material for visible blind semiconductor UV detectors.

Maximum Ratings ($T = 25^\circ\text{C}$)

Parameter	Symbol	Values		Unit
		Min.	Max.	
Operating Temperature	T_{opr}	-25	+85	$^\circ\text{C}$
Storage Temperature	T_{stg}	-40	+100	$^\circ\text{C}$
Soldering Temperature (max. 3s)	T_{sol}		+300	$^\circ\text{C}$

General Characteristics ($T = 25^\circ\text{C}$)

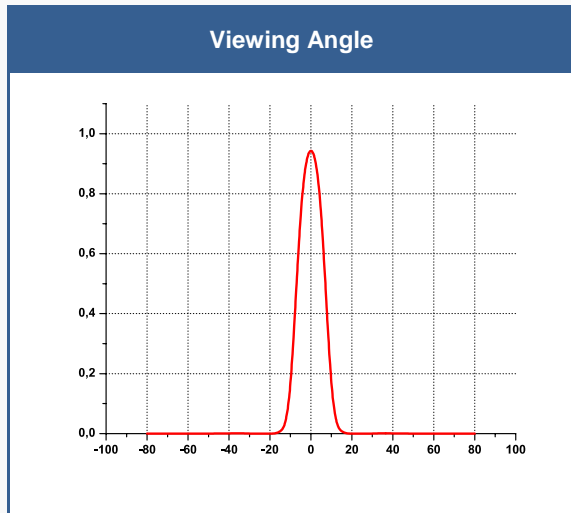
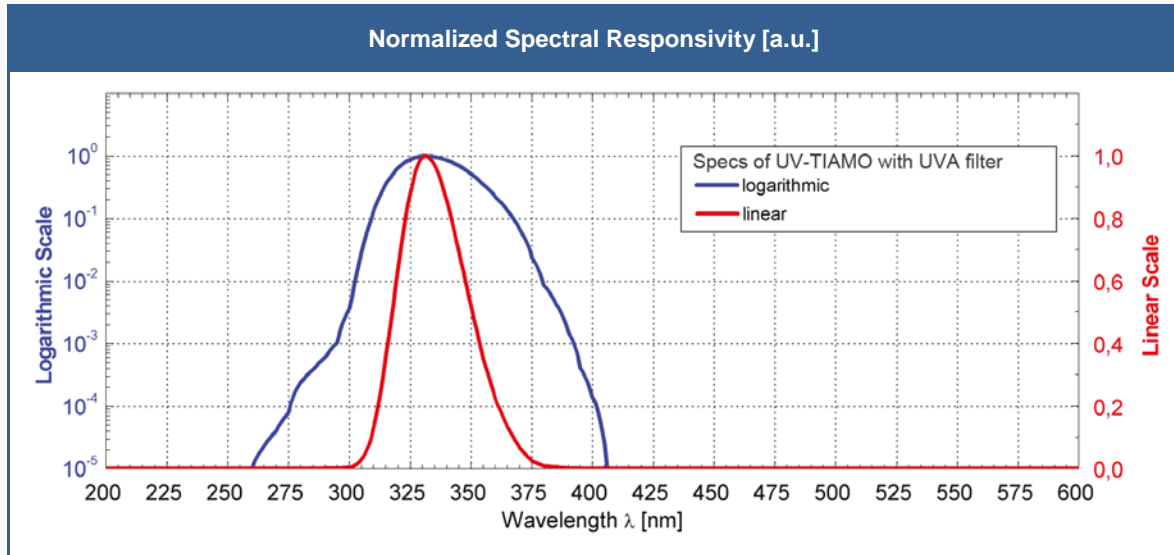
Parameter	Symbol	Min.*	Values		Unit
			Typ.*	Max.*	
Supply voltage	V_{supply}	2.5		5.0	V
Saturation voltage	V_{sat}		$V_{supply} - 5\%$		V
Dark offset voltage	V_{offset}		700		μV
Current consumption	I		150		μA
Bandwidth (-3 dB)	Θ		15		Hz
Risetime (10-90%) (other risetimes on demand)	t_{rise}		0,069		s
Temperature coefficient	T_C			-0.3	%/K

Spectral Characteristics ($T = 25^\circ\text{C}$)

Parameter	Symbol	Min.*	Values		Unit
			Typ.*	Max.*	
Sensitivity at peak	S_{max}		280		$\text{mV}/\text{nW}/\text{cm}^2$
Wavelength of max. spectral sens.	λ_{max}		331		nm
Sensitivity range ($S=0.1 \cdot S_{max}$)	-	309		367	nm
Visible blindness ($S_{max} / S_{>405\text{nm}}$)	VB		10^{10}		-



Performance Characteristics



Product Portfolio

We offer the following amplified UVA photodetectors:

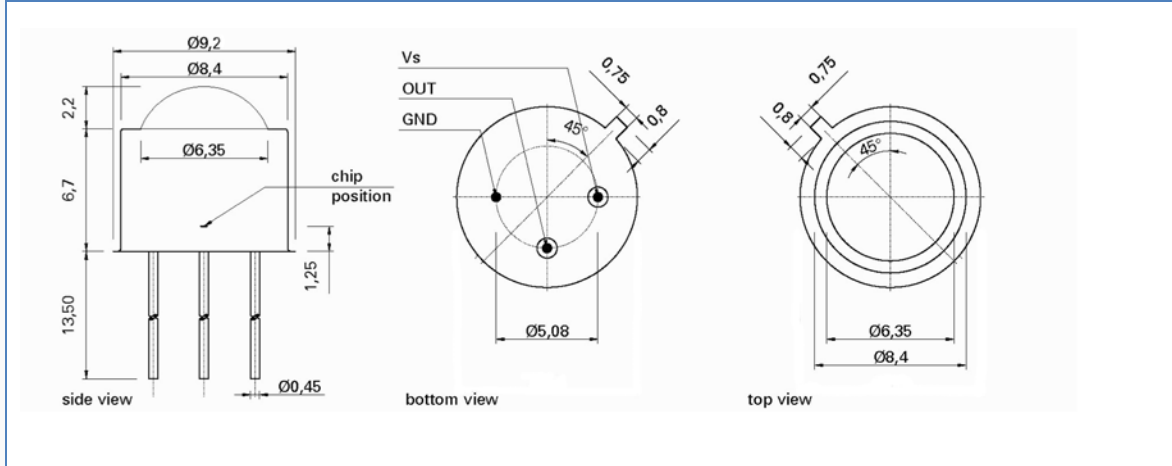
Option	Approx. min irradiance	Approx. max irradiance (V _{supply} = 5V)
UV-TIAMO-BLA	1.8 nW/cm ²	18 μW/cm ²
UV-TIAMO-A5	18 nW/cm ²	180 μW/cm ²
UV-TIAMO-A6	180 nW/cm ²	1.8 mW/cm ²
UV-TIAMO-A7	1.8 μW/cm ²	18 mW/cm ²
UV-TIAMO-A8	18 μW/cm ²	180 mW/cm ²
UV-TIAMO-A9	100 μW/cm ²	1 W/cm ²

intentionally blank...



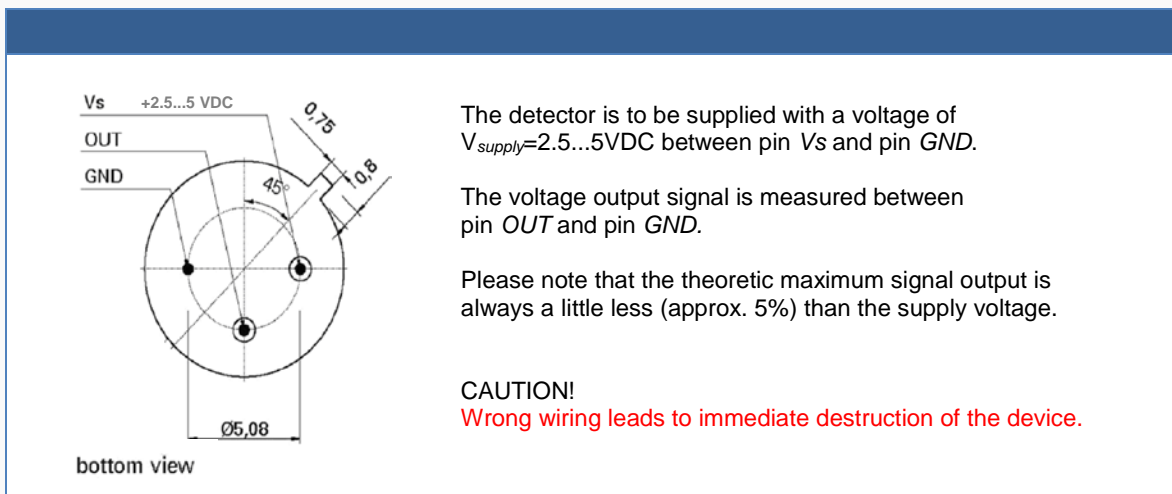
Outline Dimensions

TO5 with concentrator lens cap



All dimensions in mm

Connection diagram



Application Note

To make the photodiode running reliably, particularly in harsh environment, EMC compatibility and protection against dust, water, and mechanical influences is required. Below listed modules base on a SiC photodiode and guarantee this protection and safety.

UV-probe: SiC based sensor modules in **customizable industry grade housings** (e.g. cosine response, water pressure proof, sapphire windows) and **different electronic output configurations** (voltage, current, USB, Can, LAN) to choose from.

→ Ask us for further details!