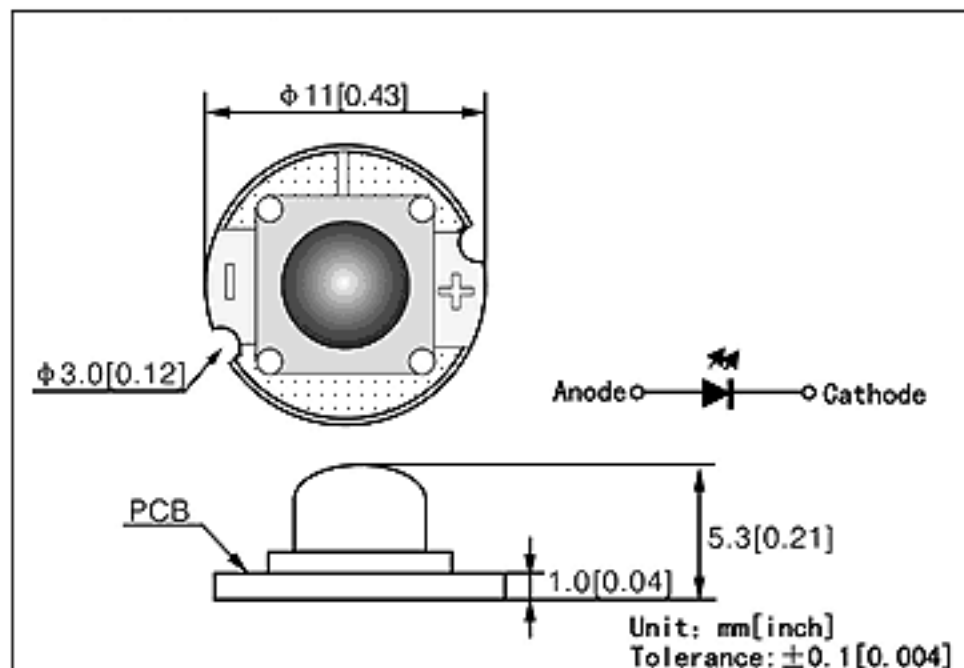
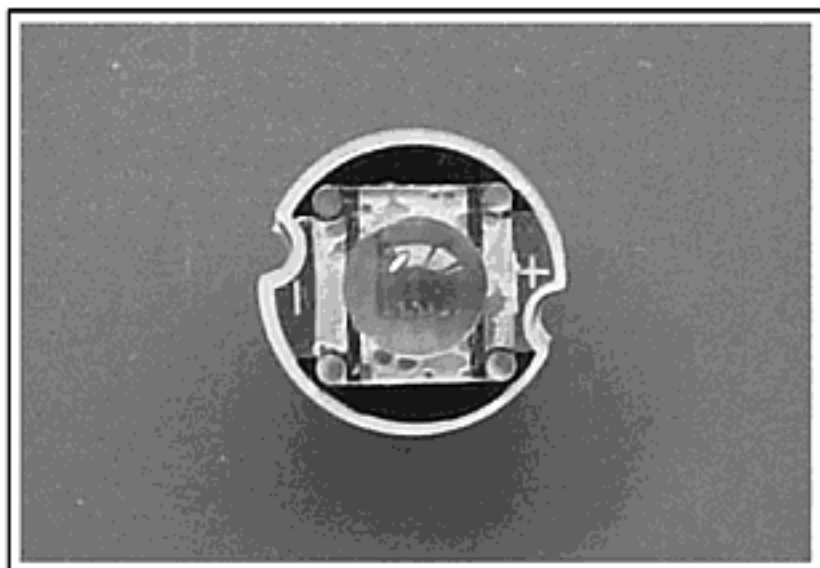


## High Power LED



		$V_f(V)$		$\lambda_o(nm)$		(lm)	$I_r(\mu A)$ AT $V_R=5V$	$2\theta_{1/2}$ ( $^\circ$ )
		$I_F=350mA$						
		Min.	Max.	Min.	Max.	Typ.		
C11A1-HW-30(-S)	InGaN	3.2	4.0	---	---	16	<100	30
C11A1-HW-60(-S)	InGaN	3.2	4.0	---	---		<100	60
C11A1-HW-120(-S)	InGaN	3.2	4.0	---	---		<100	120
C11A1-HB-30	InGaN	3.2	4.0	460	470	4.5	<100	30
C11A1-HB-60	InGaN	3.2	4.0	460	470		<100	60
C11A1-HB-120	InGaN	3.2	4.0	460	470		<100	120
C11A1-HC-30	InGaN	3.2	4.0	500	510	10	<100	30
C11A1-HC-60	InGaN	3.2	4.0	500	510		<100	60
C11A1-HC-120	InGaN	3.2	4.0	500	510		<100	120
C11A1-HG-30	InGaN	3.2	4.0	515	525	10	<100	30
C11A1-HG-60	InGaN	3.2	4.0	515	525		<100	60
C11A1-HG-120	InGaN	3.2	4.0	515	525		<100	120
C11A1-HY-30	AlGaInP	2.0	2.8	585	595	10	<100	30
C11A1-HY-60	AlGaInP	2.0	2.8	585	595		<100	60
C11A1-HY-120	AlGaInP	2.0	2.8	585	595		<100	120
C11A1-HR-30	AlGaInP	2.0	2.8	625	635	8	<100	30
C11A1-HR-60	AlGaInP	2.0	2.8	625	635		<100	60
C11A1-HR-120	AlGaInP	2.0	2.8	625	635		<100	120
C11A1-H850-30	AlGaAs	1.5	2.5	845	855	65(mw)	<100	30
C11A1-H850-60	AlGaAs	1.5	2.5	845	855	45(mw)	<100	60
C11A1-H850-120	AlGaAs	1.5	2.5	845	855	30(mw)	<100	120
C11A1-H880-30	AlGaAs	1.5	2.5	875	885	65(mw)	<100	30
C11A1-H880-60	AlGaAs	1.5	2.5	875	885	45(mw)	<100	60
C11A1-H880-120	AlGaAs	1.5	2.5	875	885	30(mw)	<100	120
C11A1-H940-30	AlGaAs	1.5	2.5	935	945	65(mw)	<100	30
C11A1-H940-60	AlGaAs	1.5	2.5	935	945	45(mw)	<100	60
C11A1-H940-120	AlGaAs	1.5	2.5	935	945	30(mw)	<100	120