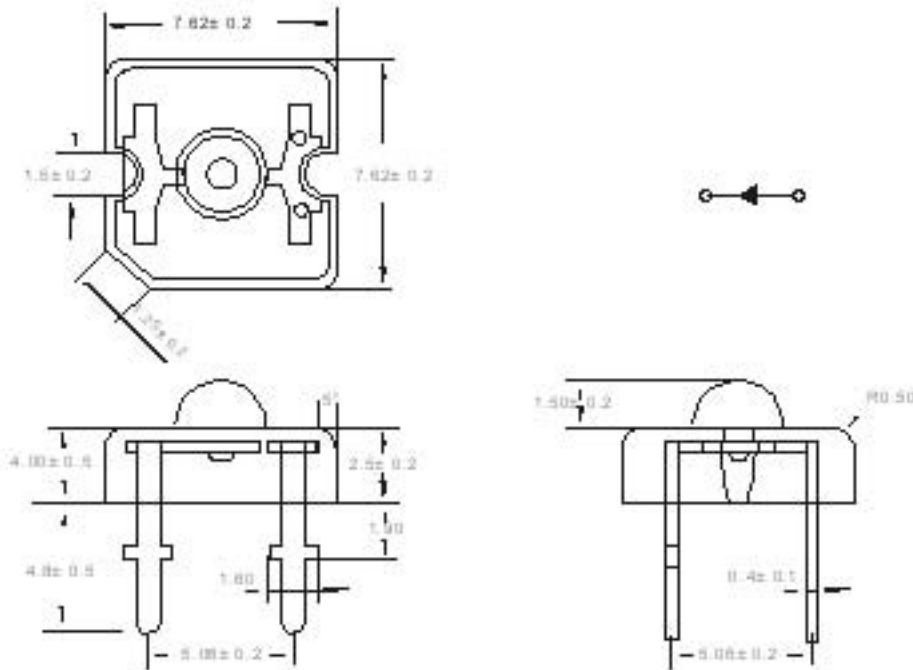




3W1S2HCA

Pack Dimensions



PRODUCT MODEL		EMITTING COLOR			MATERIAL	
3W1S2HCA		WHITE			InGaN	
Electro-Optical Characteristics (T_a = +25°C)						
PARAMETER	SYMBOL	TEST CONDITIONS	MIN	TYP.	MAX	UNIT
Forward Voltage	V _F	I _F = 20 mA	3.00	3.30	3.60	V
Reverse Current	I _R	V _R = 5 V			10	μA
Luminous intensity	I _V	I _F = 20 mA	1500	1800	2000	mcd
Chromaticity Coordinate	X	I _F = 20 mA	0.30	/	0.34	
	y	I _F = 20 mA	0.30	/	0.34	
Viewing Angle	Δθ	I _F = 20 mA		±45		deg
ABSOLUTE MAXIMUM RATINGS (T_a = +25°C)						
Reverse Voltage (V)	Continuous Forward Current (mA)	Peak forward Current (mA)	Power Dissipation (mw)	Operating Temperature Range (°C)	Storage Temperature Range (°C)	
10	100	500	200	-40~85	-40~10	