



ROITHNER LASERTECHNIK GmbH

WIEDNER HAUPTSTRASSE 76
TEL. +43 1 586 52 43 -O. FAX. -44

1040 VIENNA AUSTRIA
OFFICE@ROITHNER-LASER.COM



K7DL5111A

- Light Emitting Diode
- Purple color tone
- InGaN structure
- 5 mm clear epoxy package



Description

K7DL5111 is an **InGaN** based LED with a phosphorous coating, emitting a **purple light** of high luminous intensity (8.4 cd). It comes in a hermetically sealed clear 5 mm UV resistant epoxy resin.

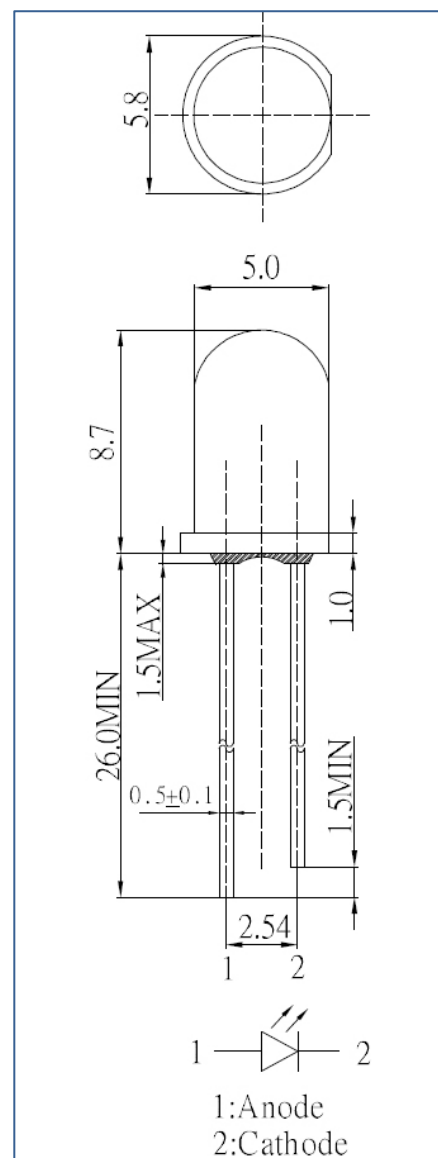
Maximum Rating ($T_{CASE} = 25^{\circ}C$)

Parameter	Symbol	Values		Unit
		Min.	Max.	
Power Dissipation, DC	P_D		102	mW
DC Forward Current*	I_F		30	mA
Pulse Forward Current*	I_{FP}		100	mA
Reverse Voltage	V_R		5.0	V
Operating Temperature	T_{OPR}	- 30	+ 85	$^{\circ}C$
Storage Temperature	T_{STG}	- 40	+ 100	$^{\circ}C$
Soldering Temperature (max 5s)	T_{SOL}		+ 260	$^{\circ}C$

* Duty cycle max. 10%, Pulse width max 10ms

Electro-Optical Characteristics ($T_{CASE} = 25^{\circ}C$, $I_F = 20$ mA)

Parameter	Symbol	Values			Unit
		Min.	Typ.	Max.	
Chromaticity Coordinates	x		0.206		
	y		0.061		
Forward Voltage	V_F	2.7	2.9	3.4	V
Reverse Current ($V_R = 5V$)	V_R			10	μA
Luminous Intensity	I_V	7.0	8.4		cd
Luminous Flux	Φ_V	1.0	1.5		lm
Viewing Half Angle	$\Theta_{1/2}$		7.5		deg.

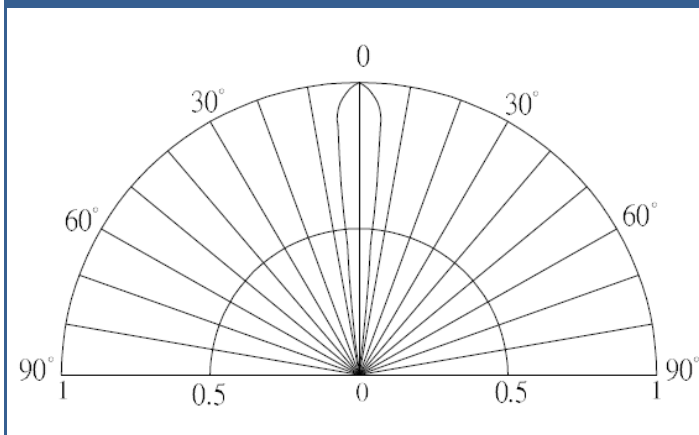


All dimensions in mm

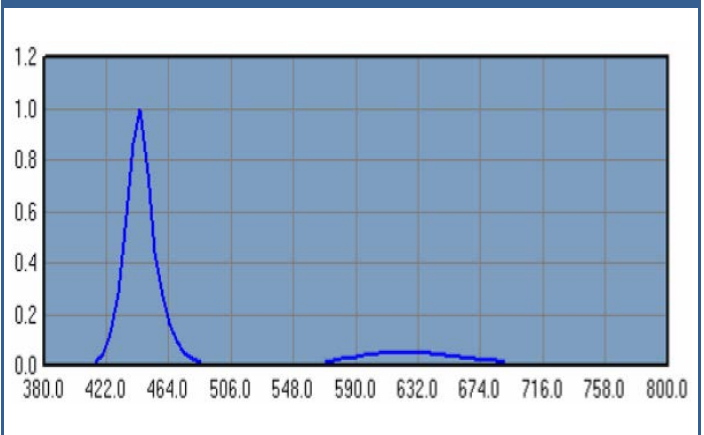


Performance Characteristics

Forward Current vs. Forward Voltage



Relative spectral distribution vs. Wavelength



© All Rights Reserved

The above specifications are for reference purpose only and subjected to change without prior notice