



# ROITHNER LASERTECHNIK GmbH

WIEDNER HAUPTSTRASSE 76  
TEL. +43 1 586 52 43 -O. FAX. -44

1040 VIENNA AUSTRIA  
OFFICE@ROITHNER-LASER.COM



## DIL5130

- **INFRARED** Light Emitting Diode
- **1300 nm, 5 mW**
- **AlGaAs**
- **5 mm epoxy package**



## Description

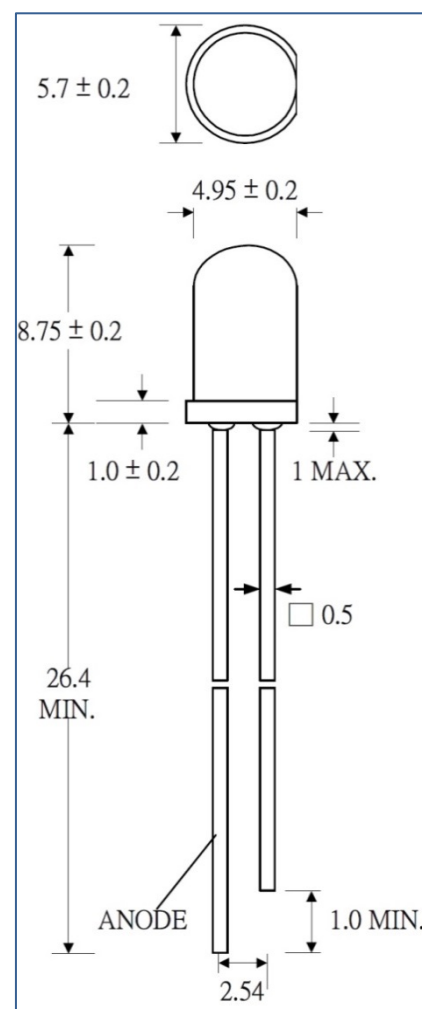
**DIL5130** is an infrared LED, typically emitting at 1300 nm with an optical output power of 5 mW. It comes in a hermetically sealed clear 5 mm epoxy resin.

## Maximum Rating ( $T_{CASE} = 25^{\circ}C$ )

Parameter	Symbol	Values		Unit
		Min.	Max.	
Power Dissipation, DC	$P_D$		50	mW
Forward Current	$I_{FM}$		40	mA
Operating Temperature	$T_{OPR}$	- 20	+ 80	$^{\circ}C$
Storage Temperature	$T_{STG}$	- 40	+ 85	$^{\circ}C$
Soldering Temperature (max 3s)	$T_{SOL}$		+ 260	$^{\circ}C$

## Electro-Optical Characteristics ( $T_{CASE} = 25^{\circ}C$ , $I_F = 20$ mA)

Parameter	Symbol	Values			Unit
		Min.	Typ.	Max.	
Peak Wavelength	$\lambda_P$		1300		nm
Spectral Width (FWHM)	$\Delta\lambda$		80		nm
Forward Voltage @ 20 mA	$V_F$		1.0	1.2	V
Reverse Voltage ( $I_R = 10$ $\mu$ A)	$V_R$			5	V
Radiant Power @ 20 mA	$\Theta_e$		5		mW
Viewing Half Angle	$\Theta_{1/2}$		15		deg.



All dimensions in mm