



ELD-510-524

- Blue-Green Light Emitting Diode
- 507 nm, 15 cd
- AlGaAs, MQW
- 5 mm epoxy package



Description

ELD-510-524 is an InGaN blue-green LED, typically emitting at typically 507 nm with an optical output power of 15 cd. It comes in a hermetically sealed clear 5 mm epoxy resin.

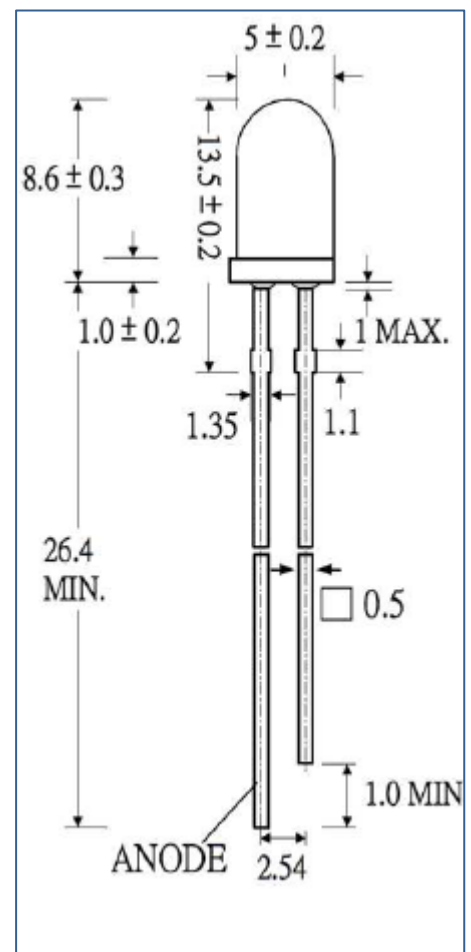
Maximum Rating (T_{CASE} = 25°C)

Parameter	Symbol	Values		Unit
		Min.	Max.	
Power Dissipation, DC	P _D		114	mW
Forward Current (I _R = 10 μA)	I _{FM}		30	mA
Reverse Voltage	V _R		5	
Pulse Forward Current*	I _{FP}		100	mA
Operating Temperature	T _{OPR}	- 20	+ 80	°C
Storage Temperature	T _{STG}	- 40	+ 100	°C
Soldering Temperature (max 3s)	T _{SOL}		+ 260	°C

* duty cycle 1/10 q 1 kHz

Electro-Optical Characteristics (T_{CASE} = 25°C, I_F = 20 mA)

Parameter	Symbol	Values			Unit
		Min.	Typ.	Max.	
Peak Wavelength	λ _P		507		nm
Dominant Wavelength	λ _D		505		nm
Spectral Width (FWHM)	Δλ		30		nm
Forward Voltage	V _F		3.2	3.8	V
Luminous Intensity	I _V	10	15		cd
Switching time	t _R , t _F		/		ns
Viewing Angle	Θ		15		deg.



Dimensions in mm