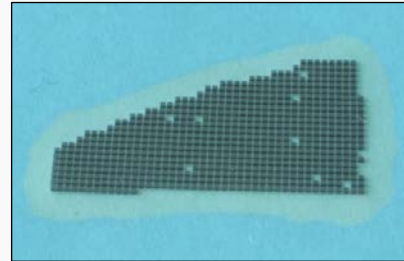




## ELC-690-27



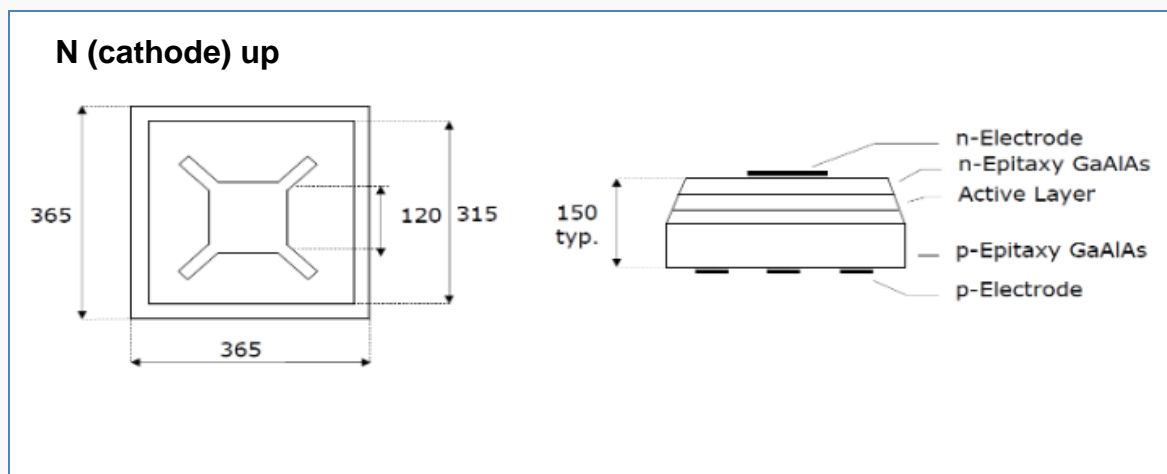
### Description

**ELC-690-27** is a AlGaAs based 365x365  $\mu\text{m}$  bare LED chip die of double hetero structure in dual combination (DDH) with gold plated electrodes. It has a typical emission wavelength of 690 nm. . It is delivered on adhesive film with the wire bond side up.

### Characteristics ( $I_F=20\text{mA}$ , $T_{AMB}=25^\circ\text{C}$ )

Parameter	Symbol	Min.	Values		Unit
			Typ.	Max.	
Emission Wavelength	$\lambda_{\text{peak}}$	680	690	700	nm
Forward Voltage	$V_F$		1.9	2.3	V
Reverse Voltage ( $I_R=100\mu\text{A}$ )	$V_R$	5			V
Radiant Power	$P_O$	2	2.8		mW
Rise/Fall time	$t_R/t_F$		50/35		ns
Spectral bandwidth (FWHM)	$\lambda\Delta$		23		nm

### Drawing & Dimensions



All dimensions in  $\mu\text{m}$