



GS-8020A

- 3 Glass Lens Collimator
- $f = 8 \text{ mm}$, NA 0.3
- ARC 630-670 nm
- premounted, with M9x0.5 thread



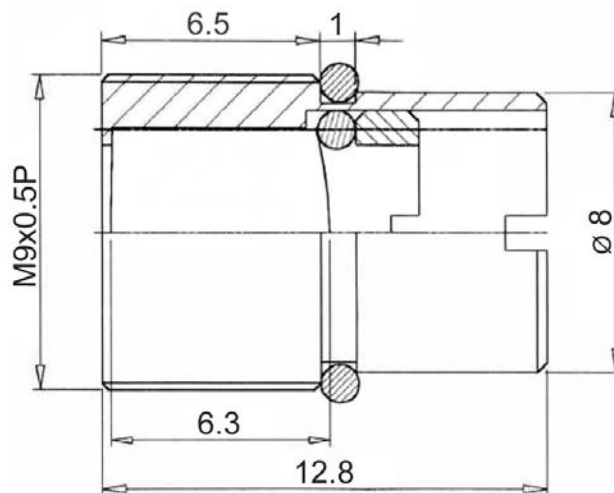
Description

GS-8020A is a laser diode collimator, utilizing 3 glass lens, featuring M9x0.5 fine pitched thread, O-Ring sealing, 8 mm focal length, and AR coating suitable for Red and IR laser diodes. GS-8020A can be used in conjunction with our LDMT series of laser diode mounting tubes.

Specifications

Parameter	Values	Unit
Focal Length	8.0	nm
Numerical Aperture	0.3	
Anti-Reflection Coating	630 - 670	nm
Thread	M9 x 0.5	mm
Dimensions	Ø9 x 12.8	mm
Material	Brass, black burnished	

Drawing



Dimensions in mm