



ROITHNER LASERTECHNIK GmbH

WIEDNER HAUPTSTRASSE 76
TEL. +43 1 586 52 43 -0, FAX. -44

1040 VIENNA
OFFICE@ROITHNER-LASER.COM

AUSTRIA



SPL850-50-5-PD

- IR Pigtailed Laser Diode
- 850 nm, 50 mW
- 5 μ m Single Mode Fiber
- FC/PC connector
- Heat Sink (optional)



Description

SPL850-50-5-PD is an infrared pigtailed laser diode, typically emitting at 850nm with an output power of 50 mW, with an integrated monitor photodiode. It comes in a coaxial package with **5 μ m single mode fiber** and FC/PC connector. **SPL850-50-5-PD** is also available with an optional heat sink.

Maximum Rating ($T_{CASE} = 25^{\circ}C$)

Parameter	Symbol	Values		Unit
		Min.	Max.	
Reverse Voltage	V_R		2.0	V
Operating Temperature	T_{OPR}	- 40	+ 60	$^{\circ}C$
Storage Temperature	T_{STG}	- 40	+ 80	$^{\circ}C$
Soldering Temperature (max. 3s)	T_{SOL}		+ 250	$^{\circ}C$



Electro-Optical Characteristics ($T_{CASE} = 25^{\circ}C$)

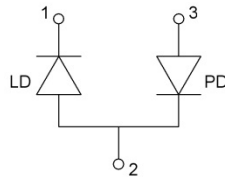
Parameter	Symbol	Values			Unit
		Min.	Typ.	Max.	
Peak Wavelength	λ_P	840	850	860	nm
Output Power	P_O		50		mW
Operating Voltage	V_F		2.3	2.6	V
Threshold Current	I_{th}		40	85	mA
Operating Current	I_F		220	240	mA
Monitor Current	I_{PD}		0.5		mA
PD Reverse Voltage	V_{PDR}		30V		
Fiber Specification	type		single mode		
	core		5		μ m
	connector		FC/PC		
	length		80		cm



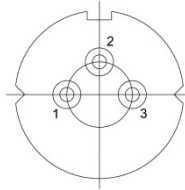
Electrical Connection

Pin Configuration*

Pin #	Function
Pin 1	LD cathode
Pin 2	LD anode, PD cathode
Pin 3	PD anode

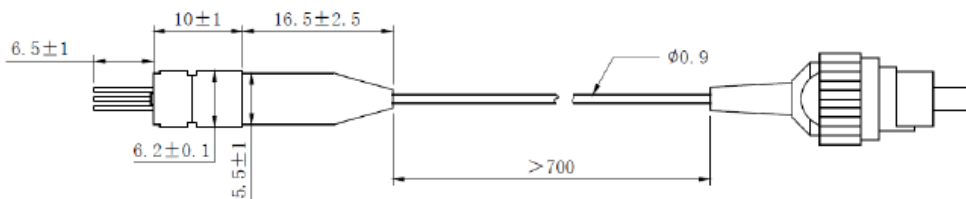


Bottom View



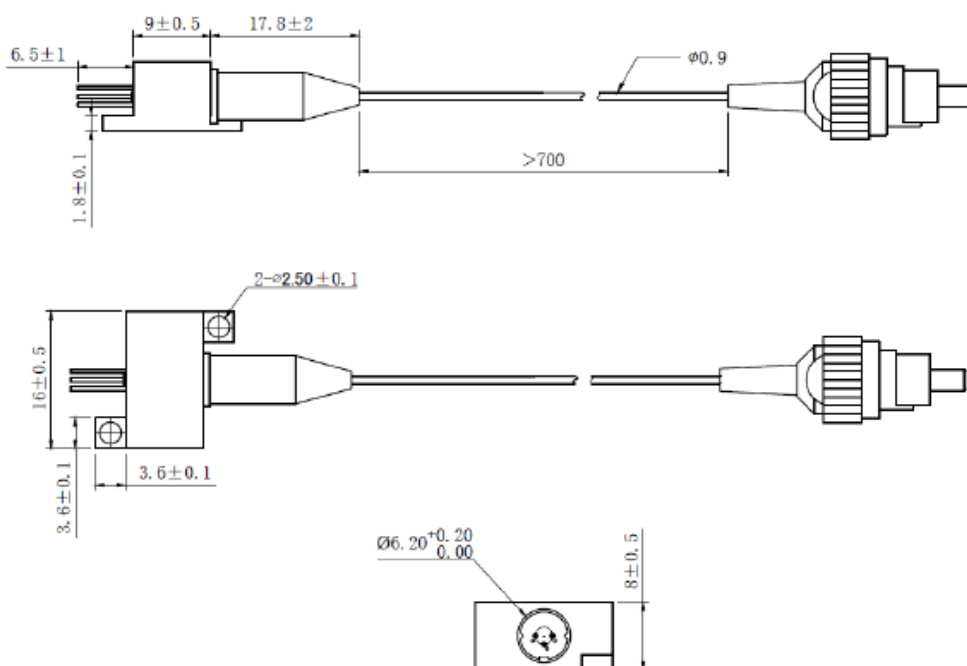
* subject to change

Coaxial Package



All dimensions in mm

B1 Package (optional)



All dimensions in mm