



SPL650-3-4-PD

- Red Pigtailed Laser Diode
- 658 nm, 3 mW
- 4 μm Single Mode Fiber
- FC/PC connector
- Heat Sink (optional)



Description

SPL650-3-4-PD is a red pigtailed laser diode, typically emitting at 658nm with an output power of 3 mW, with an integrated monitor photodiode. It comes in a coaxial package with **4 μm single mode fiber** and FC/PC connector. **SPL650-3-4-PD** is also available with an optional heat sink.

Maximum Rating ($T_{\text{CASE}} = 25^{\circ}\text{C}$)

Parameter	Symbol	Values		Unit
		Min.	Max.	
Reverse Voltage	V_R		2.0	V
Operating Temperature	T_{OPR}	- 10	+ 70	$^{\circ}\text{C}$
Storage Temperature	T_{STG}	- 40	+ 85	$^{\circ}\text{C}$
Soldering Temperature (max. 3s)	T_{SOL}		+ 260	$^{\circ}\text{C}$



Electro-Optical Characteristics ($T_{\text{CASE}} = 25^{\circ}\text{C}$)

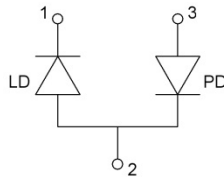
Parameter	Symbol	Values			Unit
		Min.	Typ.	Max.	
Peak Wavelength	λ_P	650	658	665	nm
Output Power	P_O		3	5	mW
Operating Voltage	V_F		2.4	3.0	V
Threshold Current	I_{th}		35	50	mA
Operating Current	I_F		65	90	mA
Monitor Current	I_{PD}		0.5		mA
PD Reverse Voltage	V_{PDR}		30V		
Fiber Specification	type		single mode		
	core		4		μm
	connector		FC/PC		
	length		80		cm



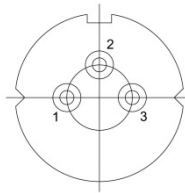
Electrical Connection

Pin Configuration*

Pin #	Function
Pin 1	LD cathode
Pin 2	LD anode, PD cathode
Pin 3	PD anode

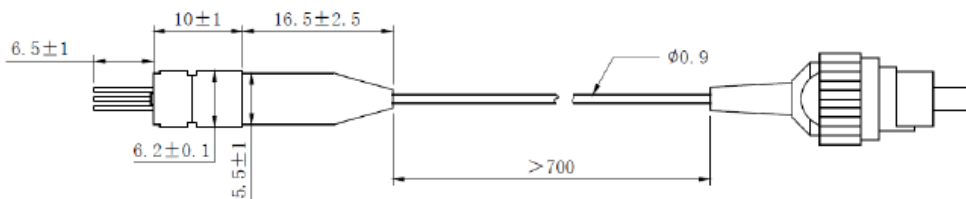


Bottom View



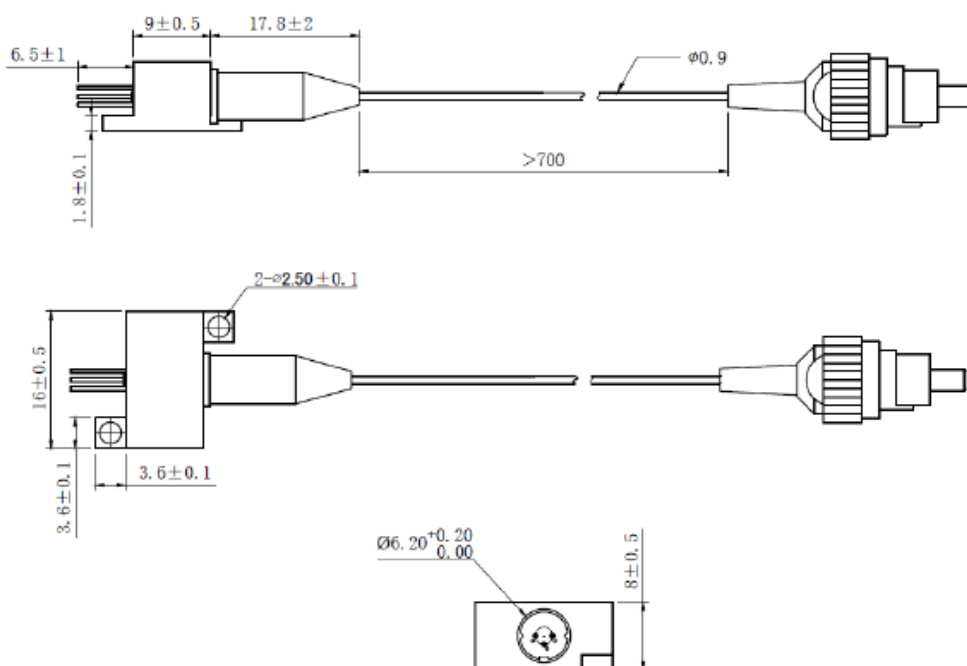
* subject to change

Coaxial Package



All dimensions in mm

B1 Package (optional)



All dimensions in mm