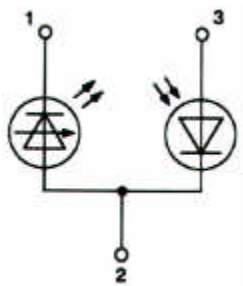


# MODULABLE LASERDIODEDRIVER EU-42

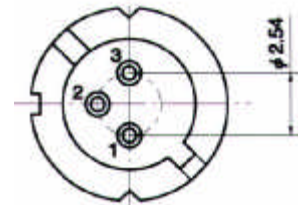
## TECHNICAL DATA:

- Dimension: 10.5 x 11.3 mm<sup>2</sup>
- Supply voltage  $U_b$ : typ. 4.0 .. 6.0 VDC
- Max. LD-current: typ. 120 mA
- Modulation frequency: DC .. 300 kHz, analog and digital voltage input
- Modulation input voltage: 0 V = laser off,  $U_b$  = laser on, any voltage between 0 and  $U_b$  possible
- cw laserpower adjustable with potentiometer

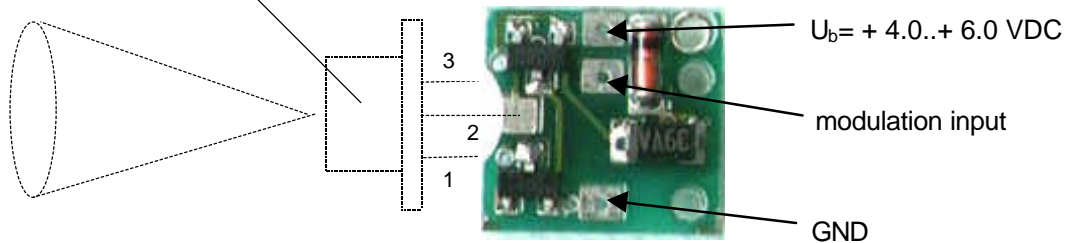
## Drives the following laserdiode:



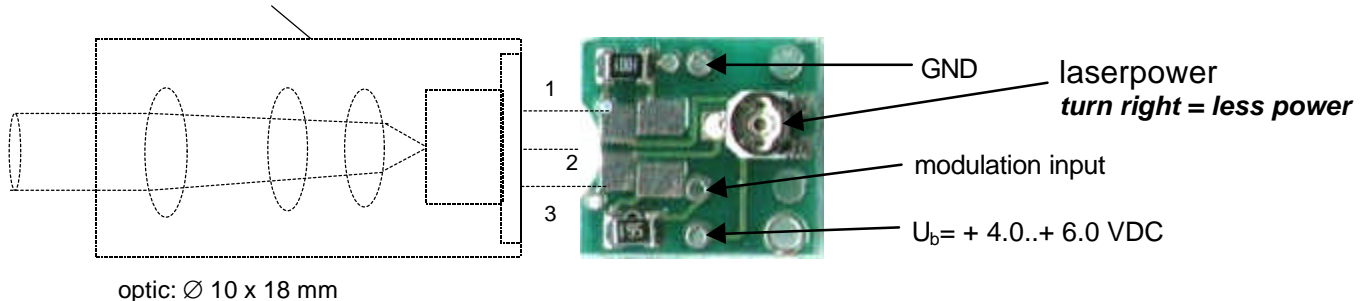
- 1) Laserdiode cathode
- 2) Laserdiode anode and photodiode cathode
- 3) Photodiode anode



option 1: with laserdiode



option 2: with laserdiode and collimating optic



optic:  $\varnothing$  10 x 18 mm

## **ROITHNER LASERTECHNIK**

A-1040 WIEN, FLEISCHMANNGASSE 9

TEL: +43 -1- 586 52 43 FAX: +43 -1- 586 41 43

e-mail: [office@roithner-laser.com](mailto:office@roithner-laser.com) <http://www.roithner-laser.com>