



ROITHNER LASERTECHNIK GmbH

WIEDNER HAUPTSTRASSE 76
TEL. +43 1 586 52 43 -O. FAX. -44

1040 VIENNA AUSTRIA
OFFICE@ROITHNER-LASER.COM



SLD3235VF

- Violet Laser Diode
- 405 nm, 100 mW
- 5.6mm TO-Can, Flat Window
- Integrated Photodiode



Description

SLD3235VF is a violet laser diode, typically emitting at 405 nm, at a rated output power of 100 mW. **SLD3235VF** comes in 5.6 mm TO-Can package **with integrated PD**.

Maximum Rating*¹ (T_{CASE} = 25°C)

Parameter	Symbol	Values		Unit
		Min.	Max.	
Optical Output Power, cw	P_O		100	mW
LD Reverse Voltage	V_{RD}		2.0	V
PD Reverse Voltage	V_{RPD}		5.5	V
Operating Temperature*	T_{OPR}	- 10	+ 80	°C
Storage Temperature*	T_{STG}	- 40	+ 85	°C
Soldering Temperature (max. 3s)	T_{SOL}		+ 260	°C

*¹ operating close to or outside these conditions may damage the device

Electro-Optical Characteristics (T_{CASE} = 25°C, P_O = 100 mW)

Parameter	Symbol	Values			Unit	
		Min.	Typ.	Max.		
Peak Wavelength	λ_P	400	405	410	nm	
Operating Voltage	V_F		5.0		V	
Threshold Current	I_{th}		40		mA	
Operating Current	I_F		140		mA	
PD Current	I_{PD}		0.6		mA	
Slope Efficiency	η		1.2		W/A	
Beam Divergence (FWHM)	parallel	$\Theta_{ }$	7	9	12	deg.
	perpendicular	Θ_{\perp}	15	19	23	deg.
Emission Point Accuracy	parallel	$\Delta\Theta_{ }$	- 2.0		2.0	deg.
	perpendicular	$\Delta\Theta_{\perp}$	- 2.5		2.5	deg.

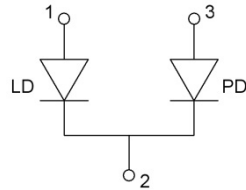




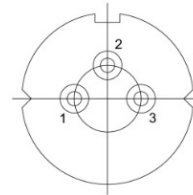
Electrical Connection

Pin Configuration

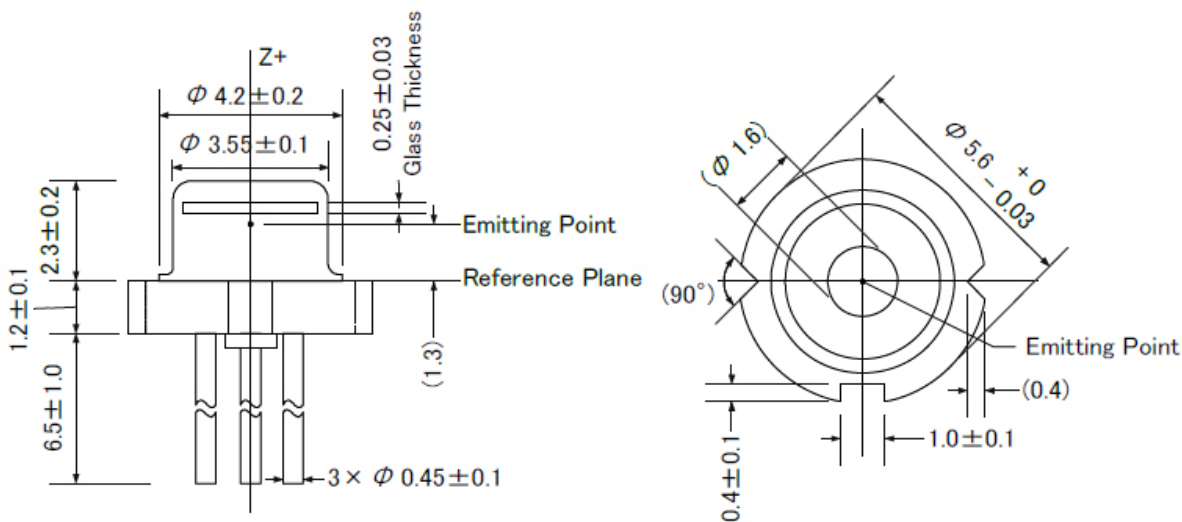
Pin #	Function
Pin 1	LD anode
Pin 2	LD cathode, PD cathode
Pin 3	PD anode



Bottom View



Outline Dimensions



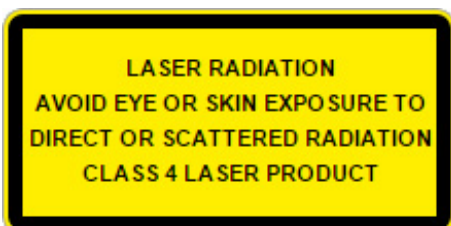
All dimensions in mm

Precautions

Safety

Caution: Laser light emitted from any laser diode may be **harmful to the human eye**. Avoid looking directly into the laser diode's aperture when the diode is in operation.

Note: The use of optical lenses with this laser diode will increase eye hazard





ROITHNER LASERTECHNIK GmbH

WIEDNER HAUPTSTRASSE 76

1040 VIENNA

AUSTRIA

TEL. +43 1 586 52 43 -0. FAX. -44

OFFICE@ROITHNER-LASER.COM



ESD caution

Always do handle laser diodes with extreme care to **prevent electrostatic discharge**, the primary cause of unexpected diode failure. To prevent ESD related failures, it is strongly advised to always **wearing wrist straps**, and **grounding all applicable work surfaces**, when handling laser diodes

Operating Considerations

It is strongly advised to only operate this laser diode with a current source. The current of a laser diode is an exponential function of the voltage across it. **Usage of current regulated drive circuits is mandatory.** Laser diodes may be damaged by excessive drive currents or switching transients

It is advised, to operate the laser diode at the lowest temperature possible, and to never exceed maximum specifications as outlined in the datasheet. Device degradation will accelerate with increased temperature. **Proper heat sinking will greatly enhance stability and life time of the laser diode**

© All Rights Reserved

The above specifications are for reference purpose only and subjected to change without prior notice.