



BLUE-VIOLET LASER DIODE DL-4146-301S Tentative



Ver.3 Oct. 2007

Features

- Short wavelength : 405 nm (Typ.)
- Low threshold current : I_{th} = 26 mA (Typ.)
- Package : ø5.6 mm

Applications

Industrial Use

Absolute Maximum Ratings

(T_c=25°C)

Parameter	Symbol	Ratings	Unit
Light Output	CW Po (CW)	20	mW
Reverse Voltage	Laser VR	2	V
Operating Temperature ¹⁾	Topr	0 to +75	°C
Storage Temperature	Tstg	-40 to +85	°C

1) Case temperature.

Electrical and Optical Characteristics

2) 3) 4) 6)

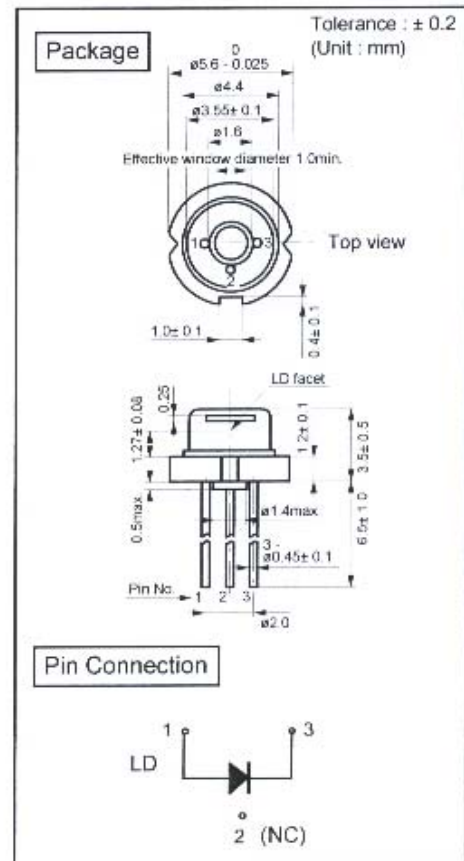
(T_c=25°C)

Parameter	Symbol	Condition	Min.	Typ.	Max.	Unit
Threshold Current	I _{th}	CW	-	26	50	mA
Operating Current	I _{op}	P _o =10mW	-	34	60	mA
Operating Voltage	V _{op}	P _o =10mW	-	4.8	5.6	V
Lasing Wavelength	L _p	P _o =10mW	395	405	415	nm
Beam Divergence ⁵⁾	Perpendicular	Q _v	P _o =10mW	16	19	°
	Parallel	Q _h	P _o =10mW	6	8.5	°
Off Axis Angle	Perpendicular	dQ _v	P _o =10mW	-2	-	°
	Parallel	dQ _h	P _o =10mW	-2	-	°
Differential Efficiency	SE	P _o =10mW	0.8	1.3	-	mW/mA

2) Initial values 3) All the above values are evaluated with Tottori Sanyo's measuring apparatus

4) Reference values 5) Full angle at half maximum 6) Measurement condition : CW

Note : The above product specification are subject to change without notice.





ROITHNER LASERTECHNIK

Wiedner Hauptstraße 76, A-1040 Vienna, Austria
Tel.: ++43 1 586 52 43-0, Fax -44, office@roithner-laser.com

