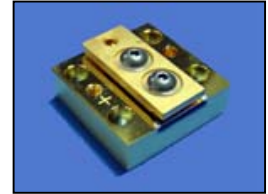




## AB081C40W



### TECHNICAL DATA

## High Power Single Bar CW Infrared Laser Diode

#### Features

- Output Power: 40 W
- 780-830 nm Emission Wavelength
- Spectral Width:  $\leq 3$  nm
- High Reliability, High Efficiency

#### Applications

- Laser Pumping
- Medical Usage
- Printing

#### Specifications (25°C)

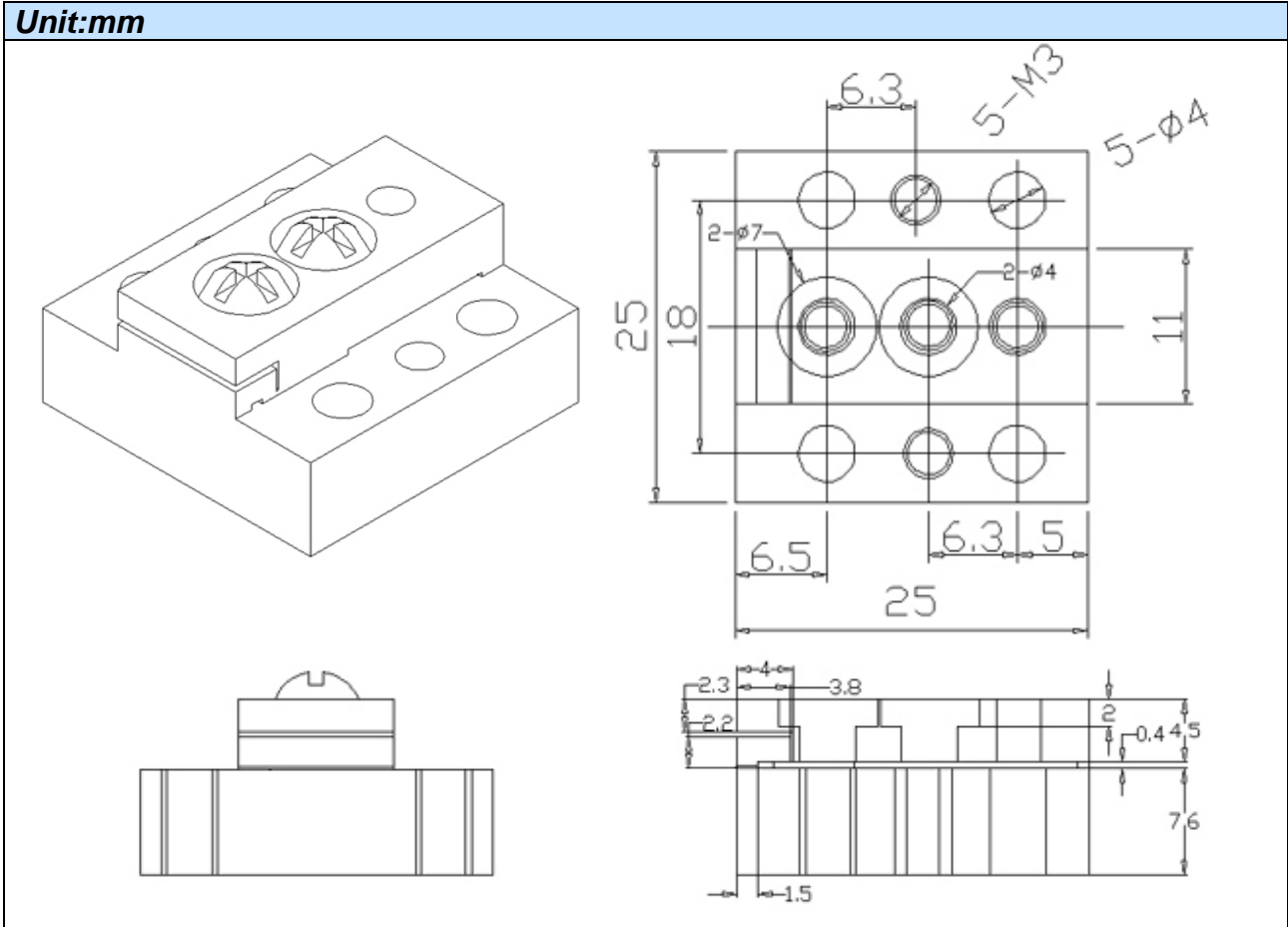
Item	Symbol	Value	Unit
<b>Optical Specifications</b>			
CW Output Power	$P_O$	40	W
Array Length	L	10	mm
Center Wavelength	$\lambda_C$	780-830	nm
Wavelength Tolerance		$\pm 5$	nm
Spectral Width	$\Delta\lambda$	$\leq 3$	nm
Emitting Area	W x H	150 x 1	$\mu\text{m}$
Emitter Pitch		500	$\mu\text{m}$
Number of Emitters		19	
Wavelength Temperature Coefficient		0.3	nm/°C
Beam Divergence	$\theta_{\perp} \times \theta_{\parallel}$	40x8	deg
<b>Electrical Specifications</b>			
Slope Efficiency	$E_S$	$\geq 1$	W/A
Conversion Efficiency	$N_S$	$\geq 40\%$	
Threshold Current	$I_{TH}$	$\leq 12$	A
Operating Current	$I_F$	$\leq 50$	A
Operating Voltage	$U_F$	$\leq 2.2$	V
<b>Absolute Maximum Ratings</b>			
Reverse Voltage	$U_R$	2.5	V
Operating Temperature	$T_{OP}$	+10 ... +40	°C
Storage Temperature	$T_{STG}$	-40 ... +85	°C



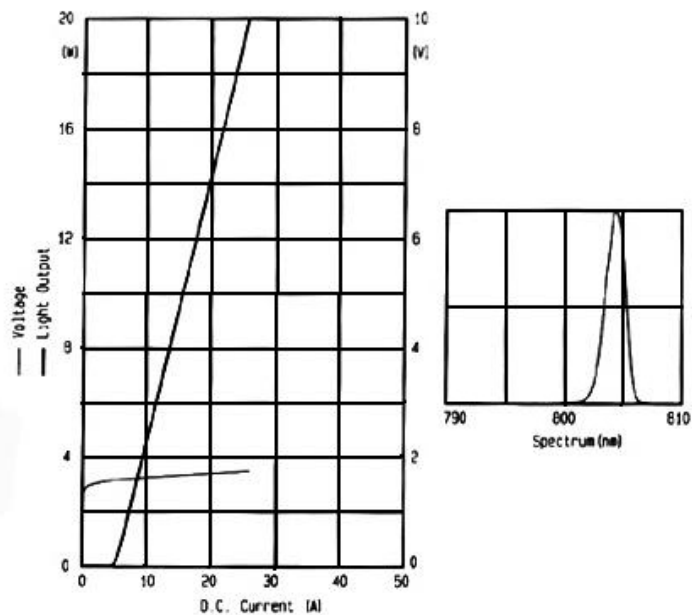


## Package Dimensons

Unit:mm



## Typical Performance Curves





## Notes

1. High power laser diode arrays are high energy laser devices. It is harmful to human body and health. Never look directly into the laser output port!
2. The storage temperature is between  $-40$  and  $85$  °C.
3. In generally, the lifetime can be shortened by high temperature. So the generated heat must be removed in time when the LD is working. The water cooling system, forced air cooling or TEC system are recommended to keeping the LD at a suitable temperature.
4. Constant-current power supply with voltage regulator should be used to avoid surge. To use a laser diode in following sequences: Turn on the power supply; connect to the laser diode; increase the current gradually, and then turn off the power. Please make sure that the power supply has no current overshoot at any time. The current overshoot can damage the laser diodes permanently.
5. The high power laser diode arrays are very sensitive to electrostatic. Please wear anti-static bracelet during operating with the laser diode arrays.
6. Be sure that the operating current does not exceed the specified operating current. Otherwise it will accelerate laser aging, shorten lifetime or even damage devices permanently.
7. A clean, dry and ventilated environment should be available when storing and operating laser diode arrays. Dust may degrade the laser diode arrays.