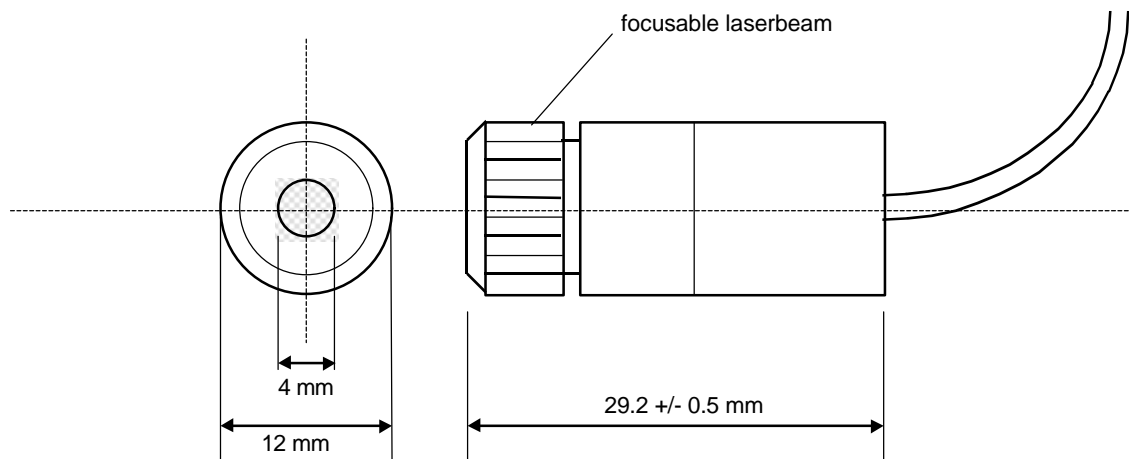


LASERDIODEMODULES TYPE LJ

TECHNICAL DATA

- Diameter 12 mm, length 29.2 mm +/- 0.5 mm
- Supply voltage: 3.0 .. 6.0 VDC (max.)
- On delay time: typ. 160 μ s
- Off delay time: typ. 70 μ s
- Modulation via supply voltage: DC .. 10 kHz (max.)
- Laserdiode APC, cw
- Available power: 1 mW .. 15 mW (40 mW only at 830 nm)
- Available wavelengths: 635 nm, 645 nm, 650 nm, 660 nm, 780 nm, 808 nm, 830 nm, 850 nm
- Collimator is a biconvex acrylic lens, both sides AR coated, focusable
- Beam dimensions at the aperture: typ. 4.0 x 2.5 mm²
- Wirelength typ. 10 cm (red: supply plus, black: supply minus)
- **ATTENTION!** case potential = supply + voltage potential!
- Operating temperature: -10 °C ... +40 °C
- Storage temperature: -40 °C ... +80 °C



HOW TO ORDER:

LDMxxx/yyLJ

xxx: wavelength in nm

yy: power in mW

LJ: modul type

example: LDM660/3LJ



laser class 2

laser class 3A

laser class 3B

ROITHNER LASERTECHNIK

A-1040 WIEN, FLEISCHMANNGASSE 9

TEL: +43 -1- 586 52 43 FAX: +43 -1- 586 41 43

e-mail: office@roithner-laser.com <http://www.roithner-laser.com>